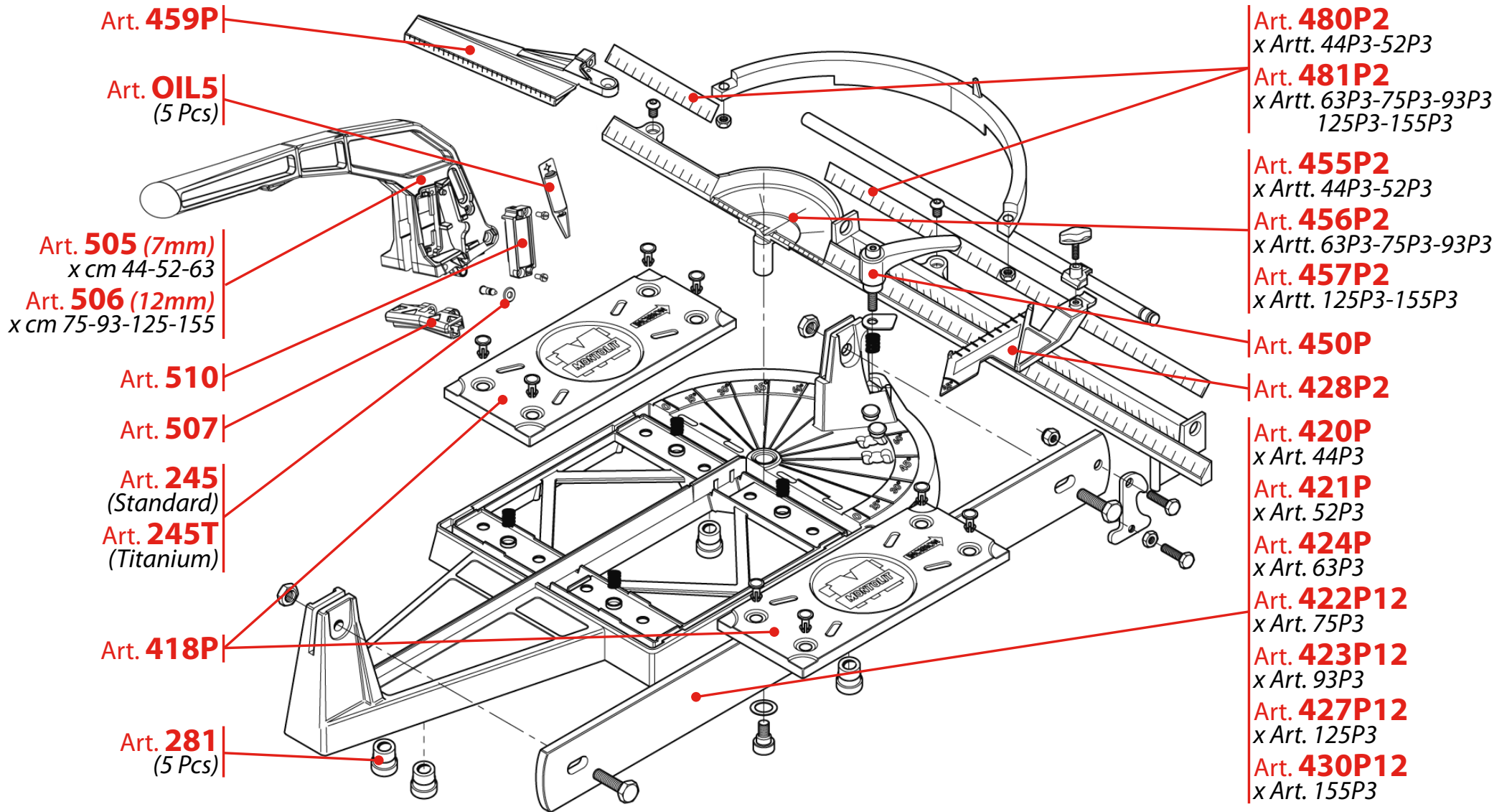


MASTERPIUMA



MASTERPIUMA **2** EVOLUTION



DAL 2011/FROM 2001

Art. **459P**

Art. **445P (blue)**
x Artt. 44P2-52P2-63P2

Art. **445P12 (black)**
x Artt. 75P2-93P2
125P2-155P2

Art. **318**
(10 Pcs)

Art. **243**
(Standard)
Art. **243T**
(Titanium)

Art. **446P**

Art. **418P**

Art. **281**
(5 Pcs)

Art. **480P2**
x Artt. 44P2-52P2

Art. **481P2**
x Artt. 63P2-75P2-93P2
125P2-155P2

Art. **455P2**
x Artt. 44P2-52P2

Art. **456P2**
x Artt. 63P2-75P2-93P2

Art. **457P2**
x Artt. 125P2-155P2

Art. **450P**

Art. **428P2**

Art. **420P**
x Art. 44P2

Art. **421P**
x Art. 52P2

Art. **424P**
x Art. 63P2

Art. **422P12**
x Art. 75P2

Art. **423P12**
x Art. 93P2

Art. **427P12**
x Art. 125P2

Art. **430P12**
x Art. 155P2

MASTERPIUMA ² EVOLUTION



FINO AL 2010/UNTILL 2010

